

## 208.SERV

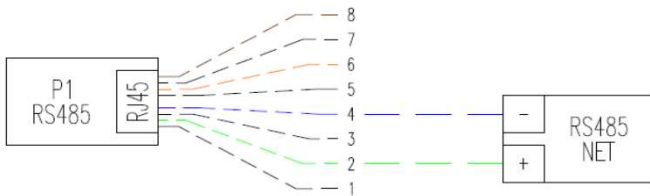
Serveur local avec logiciel standard de gestion



### CARACTERISTIQUES TECHNIQUES

Plateforme:	Linux-Ready ARM9
CPU:	ATMEL 400MHz
Memoire:	64MB SDRAM, 128MB Flash
Port Ethernet:	1x, 10/100Mbps
Port Série:	4x, RS-232/422/485
Port USB:	2x, USB 2.0
Alimentation:	9÷48VDC, 300mA a 12VDC
Certifications:	CE Class A, FCC Class A
Logiciel:	Preinstalled for basic charging station managing (max. 32)
Interface:	Internet browser

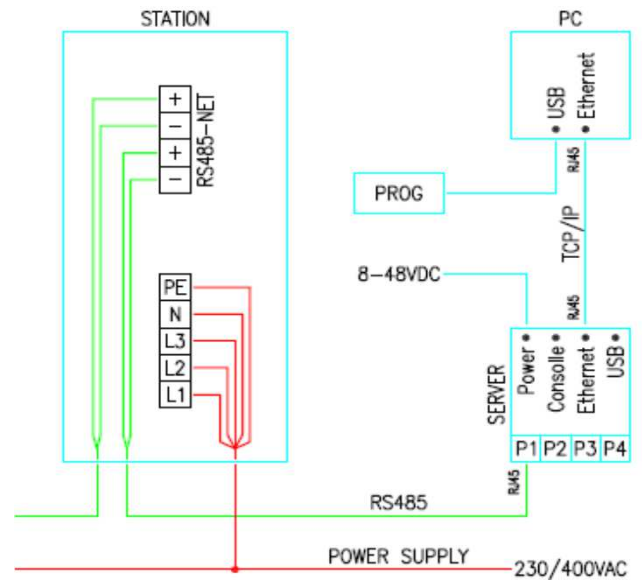
### > WIRING



**Note:**

Ligne série avec câble de type BELDEN 9841  
Longueur maxi 100m

### > CONNECTIONS



### > LOGICIEL DE GESTION des BORNES DE RECHARGE

### Charging Station for Electric Vehicles

Dashboard
Stations
Users
Settings

station	socket	user	start	duration	consumption	current
<a href="#">S01</a> S01	P1 : Available	-	-	-	-	-
	P2 : In charge	<a href="#">User1</a>	12/09/2011 12.22	0h-10m-31s	1.55 kWh	12A
<a href="#">S02</a> S02	P1 : Available	-	-	-	-	-
	P2 : Available	-	-	-	-	-
<a href="#">S03</a> S03 Not connected	P1 :-	-	-	-	-	-
	P2 :-	-	-	-	-	-

System ON
© 2011 SCAME PARRE S.p.A. - P.IVA IT 00137900163 - SW ver 0.3