

UNION-EX Series



ATEX [Ex II 2 GD]

METAL CABLE GLANDS (BY RCN)



VERSIONS

	Cable glands RN version (for unarmoured cable)
	Cable glands RAD version (for armoured cable)
	Screw plugs
	Locknuts
	Earthing tags
	Seals

REFERENCE STANDARDS

ATEX IECEX	IEC/EN 60079-31 Electrical apparatus for potentially explosive atmospheres. <i>Part 31: equipment dust ignition protection by enclosures "t".</i>
ATEX IECEX	IEC/EN 60079-0 Electrical apparatus for potentially explosive atmospheres. <i>Part 0: general requirements.</i>
ATEX IECEX	IEC/EN 60079-1 Electrical apparatus for potentially explosive atmospheres. <i>Part 1: flameproof enclosures "d".</i>
ATEX IECEX	IEC/EN 60079-7 Electrical apparatus for potentially explosive atmospheres. <i>Part 7: equipment protection by increased safety "e".</i>

TECHNICAL CHARACTERISTICS

ATEX Code:	Ex II 2GD / IM2
EX Protection type:	Ex d IIC Ex e II Ex d I Ex e I Ex tb IIIC
Protection degree:	IP66/IP68
Ambient temperature:	-40°C +100°C (EDPM) -70°C +220°C (silicone)
Material:	Brass, nickel-plated brass, steel AISI316L
Seals:	Silicone, EDPM
Surface treatment:	Chrome-plated nickel
Thread:	Metric

■ **POLYAMIDE CABLE GLANDS (BY SIB)**



■ **VERSIONS**

	Long thread, short thread and with reducer-seal inserts cable glands
	Enlarger
	Reducer
	Screw plugs
	Locknuts
	Seals

■ **REFERENCE STANDARDS**

ATEX IECEX	IEC/EN 60079-31 Electrical apparatus for potentially explosive atmospheres. <i>Part 31: equipment dust ignition protection by enclosures "t".</i>
ATEX IECEX	IEC/EN 60079-0 Electrical apparatus for potentially explosive atmospheres. <i>Part 0: general requirements.</i>
ATEX IECEX	IEC/EN 60079-7 Electrical apparatus for potentially explosive atmospheres. <i>Part 7: equipment protection by increased safety "e".</i>

■ **TECHNICAL CHARACTERISTICS**

ATEX Code:	Ex II 2GD
Ex Protection type:	Ex e II Ex tb IIIC
Protection degree:	IP66/IP68
Ambient temperature:	M12: -20°C +80°C M16-M63: -35°C +95°C
Material:	Polyamide
Colour:	RAL 9005 (Black) RAL 5012 (Blue)
Seals:	Silicone, EDPM
Thread:	Metric



UNION-EX Series



ATEX / IECEx - 2 GD

Ambient	Gas			Dust		
Zone	0 - Ga	1 - Gb	2 - Gc	20 - Da	21 - Db	22 - Dc

METAL CABLE GLANDS FOR UNARMoured CABLE RN VERSION (KIT)

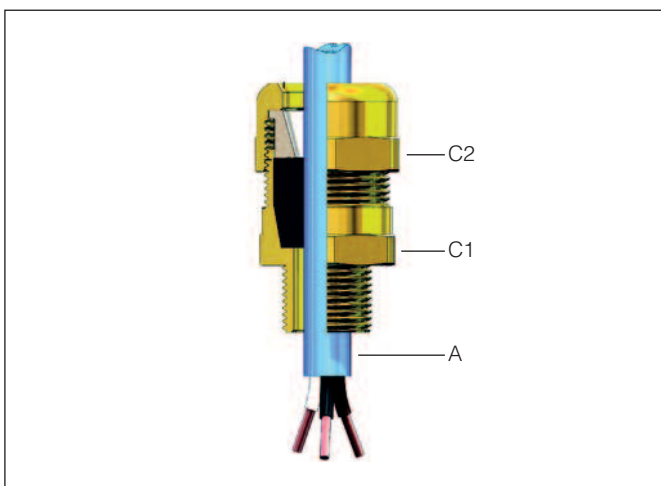
EPDM seal



Size	Thread	A Ø min-max (mm)	C1	C2	□	Brass	Nickel-plated brass	Steel S6
16	M12x1.5	4÷7	24	24	1	805.RN1612.EO	805.RN1612.EN	805.RN1612.ES
	M16x1.5	7÷10	24	24	1	805.RN1616.EO	805.RN1616.EN	805.RN1616.ES
	M20x1.5		24	24	1	805.RN1620.EO	805.RN1620.EN	805.RN1620.ES
20	M16x1.5	5,5÷8	30	32	1	805.RN2016.EO	805.RN2016.EN	805.RN2016.ES
	M20x1.5	8÷10,5	30	32	1	805.RN2020.EO	805.RN2020.EN	805.RN2020.ES
	M25x1.5	10,5÷13	30	32	1	805.RN2025.EO	805.RN2025.EN	805.RN2025.ES
25	M20x1.5	8÷10,5 - 10,5÷13	35	36	1	805.RN2520.EO	805.RN2520.EN	805.RN2520.ES
	M25x1.5	13÷15,5 - 15,5÷18	35	36	1	805.RN2525.EO	805.RN2525.EN	805.RN2525.ES
32	M25x1.5	13÷15,5 - 15÷18	42	45	1	805.RN3225.EO	805.RN3225.EN	805.RN3225.ES
	M32x1.5	18÷21 - 21÷24	42	45	1	805.RN3232.EO	805.RN3232.EN	805.RN3232.ES
40	M40x1.5	21÷24 - 24÷27 27÷30	48	50	1	805.RN4040.EO	805.RN4040.EN	805.RN4040.ES
50	M40x1.5	24÷27 - 27÷30	55	57	1	805.RN5040.EO	805.RN5040.EN	805.RN5040.ES
	M50x1.5	30÷33 - 33÷36	55	57	1	805.RN5050.EO	805.RN5050.EN	805.RN5050.ES
63	M50x1.5	36÷39 - 39÷42	68	67	1	805.RN6350.EO	805.RN6350.EN	805.RN6350.ES
	M63x1.5	42÷45	68	67	1	805.RN6363.EO	805.RN6363.EN	805.RN6363.ES
75	M63x1.5	45÷48 - 48÷51	80	80	1	805.RN7563.EO	805.RN7563.EN	805.RN7563.ES
	M75x1.5	51÷54	80	80	1	805.RN7575.EO	805.RN7575.EN	805.RN7575.ES
90	M75x1.5		100	100	1	805.RN9075.EO	805.RN9075.EN	805.RN9075.ES
	M90x1.5	54÷58 - 58÷62	100	100	1	805.RN9090.EO	805.RN9090.EN	805.RN9090.ES
91	M75x1.5	60÷64 - 64÷68	100	100	1	805.RN9175.EO	805.RN9175.EN	805.RN9175.ES
	M90x1.5		100	100	1	805.RN9190.EO	805.RN9190.EN	805.RN9190.ES

□ Package/Bulk Pack.

Standard size



Cable glands for non-armoured cable with seal outside the cable.

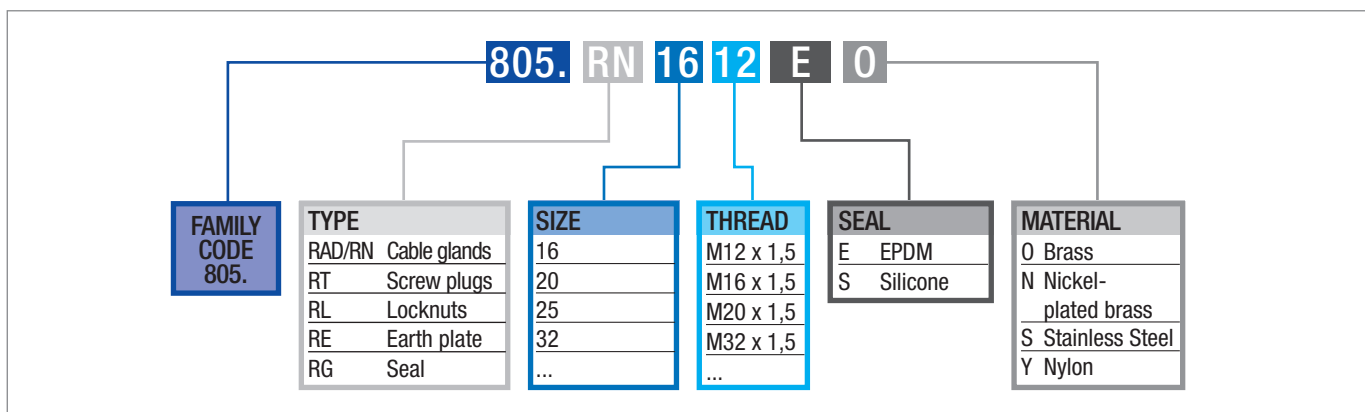
SILICONE seal



Size	Thread	A Ø min-max (mm)	C1	C2	□	Brass	Nickel-plated brass	Steel S6
16	M12x1.5	4÷6 - 6÷8	24	24	1	805.RN1612.SO	805.RN1612.SN	805.RN1612.SS
	M16x1.5		24	24	1	805.RN1616.SO	805.RN1616.SN	805.RN1616.SS
	M20x1.5	8÷10	24	24	1	805.RN1620.SO	805.RN1620.SN	805.RN1620.SS
20	M16x1.5	5,5÷8 - 8÷10,5	30	32	1	805.RN2016.SO	805.RN2016.SN	805.RN2016.SS
	M20x1.5		30	32	1	805.RN2020.SO	805.RN2020.SN	805.RN2020.SS
	M25x1.5	10,5÷13	30	32	1	805.RN2025.SO	805.RN2025.SN	805.RN2025.SS
25	M20x1.5	8÷10,5 - 10,5÷13	35	36	1	805.RN2520.SO	805.RN2520.SN	805.RN2520.SS
	M25x1.5	13÷15,5 - 15,5÷18	35	36	1	805.RN2525.SO	805.RN2525.SN	805.RN2525.SS
32	M25x1.5	13÷15,5 - 15÷18	42	45	1	805.RN3225.SO	805.RN3225.SN	805.RN3225.SS
	M32x1.5	18÷21 - 21÷24	42	45	1	805.RN3232.SO	805.RN3232.SN	805.RN3232.SS
40	M40x1.5	21÷24 - 24÷27 27÷30	48	50	1	805.RN4040.SO	805.RN4040.SN	805.RN4040.SS
50	M40x1.5	24÷27 - 27÷30	55	57	1	805.RN5040.SO	805.RN5040.SN	805.RN5040.SS
	M50x1.5	30÷33 - 33÷36	55	57	1	805.RN5050.SO	805.RN5050.SN	805.RN5050.SS
63	M50x1.5	36÷39 - 39÷42	68	67	1	805.RN6350.SO	805.RN6350.SN	805.RN6350.SS
	M63x1.5	42÷45	68	67	1	805.RN6363.SO	805.RN6363.SN	805.RN6363.SS
75	M63x1.5	45÷48 - 48÷51	80	80	1	805.RN7563.SO	805.RN7563.SN	805.RN7563.SS
	M75x1.5	51÷54	80	80	1	805.RN7575.SO	805.RN7575.SN	805.RN7575.SS
90	M75x1.5	54÷58 - 58÷62	100	100	1	805.RN9075.SO	805.RN9075.SN	805.RN9075.SS
	M90x1.5		100	100	1	805.RN9090.SO	805.RN9090.SN	805.RN9090.SS
91	M75x1.5	60÷64 - 64÷68	100	100	1	805.RN9175.SO	805.RN9175.SN	805.RN9175.SS
	M90x1.5		100	100	1	805.RN9190.SO	805.RN9190.SN	805.RN9190.SS

□ Package/Bulk Pack. ■ Standard size

CODE STRUCTURE



UNION-EX Series



ATEX / IECEx - 2 GD

Ambient	Gas			Dust		
Zone	0 - Ga	1 - Gb	2 - Gc	20 - Da	21 - Db	22 - Dc

METAL CABLE GLANDS FOR ARMoured CABLE RAD VERSION (KIT)

EPDM seal

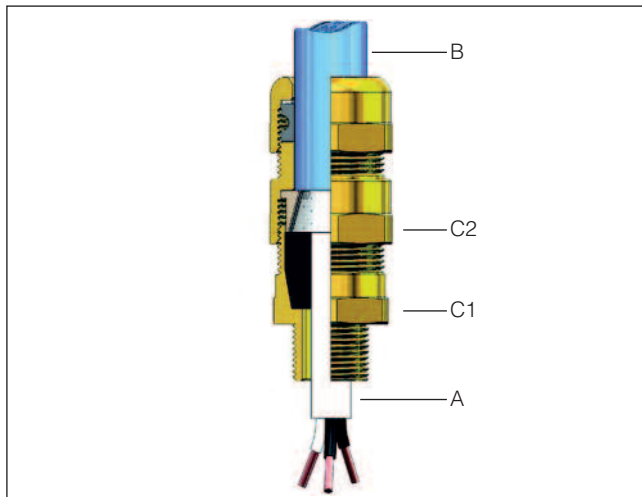
ATEX [Ex II 2 GD]



Size	Thread	A Ø min-max cable under armour (mm)	B Ø min-max external cable	C1	C2	□			
							Brass	Nickel-plated brass	Steel S6
16	M12x1.5	4÷7	5÷10	24	24	1	805.RAD1612.EO	805.RAD1612.EN	805.RAD1612.ES
	M16x1.5	7÷10	10÷15	24	24	1	805.RAD1616.EO	805.RAD1616.EN	805.RAD1616.ES
	M20x1.5			24	24	1	805.RAD1620.EO	805.RAD1620.EN	805.RAD1620.ES
20	M16x1.5	5,5÷8	10÷15	30	32	1	805.RAD2016.EO	805.RAD2016.EN	805.RAD2016.ES
	M20x1.5	8÷10,5	14÷19	30	32	1	805.RAD2020.EO	805.RAD2020.EN	805.RAD2020.ES
	M25x1.5	10,5÷13		30	32	1	805.RAD2025.EO	805.RAD2025.EN	805.RAD2025.ES
25	M20x1.5	8÷10,5 - 10,5÷13	15÷20	35	36	1	805.RAD2520.EO	805.RAD2520.EN	805.RAD2520.ES
	M25x1.5	13÷15,5 - 15,5÷18	19÷24	35	36	1	805.RAD2525.EO	805.RAD2525.EN	805.RAD2525.ES
32	M25x1.5	13÷15,5 - 15÷18	20÷26	42	45	1	805.RAD3225.EO	805.RAD3225.EN	805.RAD3225.ES
	M32x1.5	18÷21 - 21÷24	25÷31	42	45	1	805.RAD3232.EO	805.RAD3232.EN	805.RAD3232.ES
40	M40x1.5	21÷24 - 24÷27 27÷30	26÷32 - 31÷37	48	50	1	805.RAD4040.EO	805.RAD4040.EN	805.RAD4040.ES
50	M40x1.5	24÷27 - 27÷30	31÷37	55	57	1	805.RAD5040.EO	805.RAD5040.EN	805.RAD5040.ES
	M50x1.5	30÷33 - 33÷36	36÷43	55	57	1	805.RAD5050.EO	805.RAD5050.EN	805.RAD5050.ES
63	M50x1.5	36÷39 - 39÷42	42÷48	68	67	1	805.RAD6350.EO	805.RAD6350.EN	805.RAD6350.ES
	M63x1.5	42÷45	47÷53	68	67	1	805.RAD6363.EO	805.RAD6363.EN	805.RAD6363.ES
75	M63x1.5	45÷48 - 48÷51	52÷58	80	80	1	805.RAD7563.EO	805.RAD7563.EN	805.RAD7563.ES
	M75x1.5	51÷54	52÷64	80	80	1	805.RAD7575.EO	805.RAD7575.EN	805.RAD7575.ES
90	M75x1.5			100	100	1	805.RAD9075.EO	805.RAD9075.EN	805.RAD9075.ES
	M90x1.5	54÷58 - 58÷62	64÷72	100	100	1	805.RAD9090.EO	805.RAD9090.EN	805.RAD9090.ES
91	M75x1.5	60÷64 - 64÷68	70÷78	100	100	1	805.RAD9175.EO	805.RAD9175.EN	805.RAD9175.ES
	M90x1.5			100	100	1	805.RAD9190.EO	805.RAD9190.EN	805.RAD9190.ES

□ Package/Bulk Pack.

Standard size



Cable glands for armoured cable, locking under the armour and outside. Earthing of the armour.

SILICONE seal



Size	Thread	A Ø min-max cable under armour (mm)	B Ø min-max external cable	C1	C2	□	Material		
							Brass	Nickel-plated brass	Steel S6
16	M12x1.5	4÷6 - 6÷8	5÷10	24	24	1	805.RAD1612.SO	805.RAD1612.SN	805.RAD1612.SS
	M16x1.5			24	24	1	805.RAD1616.SO	805.RAD1616.SN	805.RAD1616.SS
	M20x1.5	8÷10	10÷15	24	24	1	805.RAD1620.SO	805.RAD1620.SN	805.RAD1620.SS
20	M16x1.5	5,5÷8	10÷15	30	32	1	805.RAD2016.SO	805.RAD2016.SN	805.RAD2016.SS
	M20x1.5	8÷10,5		30	32	1	805.RAD2020.SO	805.RAD2020.SN	805.RAD2020.SS
	M25x1.5	10,5÷13	14÷19	30	32	1	805.RAD2025.SO	805.RAD2025.SN	805.RAD2025.SS
25	M20x1.5	8÷10,5 - 10,5÷13	15÷20	35	36	1	805.RAD2520.SO	805.RAD2520.SN	805.RAD2520.SS
	M25x1.5	13÷15,5 - 15,5÷18		19÷24	35	36	1	805.RAD2525.SO	805.RAD2525.SN
32	M25x1.5	13÷15,5 - 15÷18	20÷26	42	45	1	805.RAD3225.SO	805.RAD3225.SN	805.RAD3225.SS
	M32x1.5	18÷21 - 21÷24		25÷31	42	45	1	805.RAD3232.SO	805.RAD3232.SN
40	M40x1.5	21÷24 - 24÷27 27÷30	26÷32 - 31÷37	48	50	1	805.RAD4040.SO	805.RAD4040.SN	805.RAD4040.SS
50	M40x1.5	24÷27 - 27÷30	31÷37	55	57	1	805.RAD5040.SO	805.RAD5040.SN	805.RAD5040.SS
	M50x1.5	30÷33 - 33÷36		36÷43	55	57	1	805.RAD5050.SO	805.RAD5050.SN
63	M50x1.5	36÷39 - 39÷42	42÷48	68	67	1	805.RAD6350.SO	805.RAD6350.SN	805.RAD6350.SS
	M63x1.5	42÷45		47÷53	68	67	1	805.RAD6363.SO	805.RAD6363.SN
75	M63x1.5	45÷48 - 48÷51	52÷58	80	80	1	805.RAD7563.SO	805.RAD7563.SN	805.RAD7563.SS
	M75x1.5	51÷54		52÷64	80	80	1	805.RAD7575.SO	805.RAD7575.SN
90	M75x1.5	54÷58 - 58÷62	64÷72	100	100	1	805.RAD9075.SO	805.RAD9075.SN	805.RAD9075.SS
	M90x1.5			100	100	1	805.RAD9090.SO	805.RAD9090.SN	805.RAD9090.SS
91	M75x1.5	60÷64 - 64÷68	70÷78	100	100	1	805.RAD9175.SO	805.RAD9175.SN	805.RAD9175.SS
	M90x1.5			100	100	1	805.RAD9190.SO	805.RAD9190.SN	805.RAD9190.SS

□ Package/Bulk Pack. ■ Standard size

EXAMPLE KIT



RAD/RN cable gland kit consisting of a set of rubber pads.



EXAMPLE OF CABLE GLAND KIT LABEL

SCAME
CABLE GLAND IP66/68

RCN
CABLE GLANDS AND ACCESSORIES

KIT.RAD20.N20.FP.ON

Cod. cliente: 805.RAD1612.EN
KIT pressacavo RAD size 20 M 1/2" NPT ottone nichelato
Lotto: 014929

8 001636 410876

Marcatura:

RCN RAD20 1/2 NPT CE 0080 INERS 06ATEX0014X IEC Ex INE10.0010X
Ⓢ IM2 Exel-Exdl/II2GD Exel-ExdlIC-ExtD A21 IP66/68



UNION-EX Series



SCREW PLUGS

ATEX [Ex II 2 GD]



Thread	☐	Brass	Nickel-plated brass	Steel S6
M12x1.5	1	805.RT12.O	805.RT12.N	805.RT12.S
M16x1.5	1	805.RT16.O	805.RT16.N	805.RT16.S
M20x1.5	1	805.RT20.O	805.RT20.N	805.RT20.S
M25x1.5	1	805.RT25.O	805.RT25.N	805.RT25.S
M32x1.5	1	805.RT32.O	805.RT32.N	805.RT32.S
M40x1.5	1	805.RT40.O	805.RT40.N	805.RT40.S
M50x1.5	1	805.RT50.O	805.RT50.N	805.RT50.S
M63x1.5	1	805.RT63.O	805.RT63.N	805.RT63.S
M75x1.5	1	805.RT75.O	805.RT75.N	805.RT75.S
M90x2	1	805.RT90.O	805.RT90.N	805.RT90.S

☐ Package/Bulk Pack.
- Without seal

LOCKNUTS



Thread	☐	Brass	Nickel-plated brass	Steel S6
M12x1.5	10	805.RL12.O	805.RL12.N	805.RL12.S
M16x1.5	10	805.RL16.O	805.RL16.N	805.RL16.S
M20x1.5	10	805.RL20.O	805.RL20.N	805.RL20.S
M25x1.5	10	805.RL25.O	805.RL25.N	805.RL25.S
M32x1.5	10	805.RL32.O	805.RL32.N	805.RL32.S
M40x1.5	10	805.RL40.O	805.RL40.N	805.RL40.S
M50x1.5	10	805.RL50.O	805.RL50.N	805.RL50.S
M63x1.5	10	805.RL63.O	805.RL63.N	805.RL63.S
M75x1.5	10	805.RL75.O	805.RL75.N	805.RL75.S
M90x2	10	805.RL90.O	805.RL90.N	805.RL90.S

☐ Package/Bulk Pack.

EARTHING TAGS



Type	☐	Brass	Nickel-plated brass	Steel S6
M12	10	-	805.RE12.N	805.RE12.S
M16	10	-	805.RE16.N	805.RE16.S
M20	10	-	805.RE20.N	805.RE20.S
M25	10	-	805.RE25.N	805.RE25.S
M32	10	-	805.RE32.N	805.RE32.S
M40	10	-	805.RE40.N	805.RE40.S
M50	10	-	805.RE50.N	805.RE50.S
M63	10	-	805.RE63.N	805.RE63.S
M75	10	-	805.RE75.N	805.RE75.S
M90	10	-	805.RE90.N	805.RE90.S

☐ Package/Bulk Pack.

SEALS



Type	☐	Nylon	Silicone
M12	10	805.RG12.Y	805.RG12.S
M16	10	805.RG16.Y	805.RG16.S
M20	10	805.RG20.Y	805.RG20.S
M25	10	805.RG25.Y	805.RG25.S
M32	10	805.RG32.Y	805.RG32.S
M40	10	805.RG40.Y	805.RG40.S
M50	10	805.RG50.Y	805.RG50.S
M63	10	805.RG63.Y	805.RG63.S
M75	10	805.RG75.Y	805.RG75.S
M90	10	805.RG90.Y	805.RG90.S

☐ Package/Bulk Pack.



UNION-EX Series



ATEX / IECEx - 2 GD

Ambient	Gas			Dust		
Zone	0 - Ga	1 - Gb	2 - Gc	20 - Da	21 - Db	22 - Dc

POLYAMIDE CABLE GLANDS

ATEX [Ex II 2 GD]



Short thread



Long thread

Thread	Ø cable min-max	□	Short thread		Long thread	
			Black	Blue	Black	Blue
M12x1.5	4.5 - 6.5	50	805.EX5412.K	805.EX5412.B	805.EX5512.K	805.EX5512.B
M16x1.5	5.0 - 8.0	50	805.EX5416.K	805.EX5416.B	805.EX5516.K	805.EX5516.B
	5.0 - 10.0	50	805.EX5417.K	805.EX5417.B	805.EX5517.K	805.EX5517.B
M20x1.5	7.0 - 12.0	50	805.EX5420.K	805.EX5420.B	805.EX5520.K	805.EX5520.B
	10.0 - 14.0	50	805.EX5421.K	805.EX5421.B	805.EX5521.K	805.EX5521.B
M25x1.5	10.0 - 14.0	50	805.EX5425.K	805.EX5425.B	805.EX5525.K	805.EX5525.B
	12.0 - 18.0	25	805.EX5426.K	805.EX5426.B	805.EX5526.K	805.EX5526.B
M32x1.5	16.0 - 25.0	20	805.EX5432.K	805.EX5432.B	805.EX5532.K	805.EX5532.B
M40x1.5	22.0 - 32.0	10	805.EX5440.K	805.EX5440.B	805.EX5540.K	805.EX5540.B
M50x1.5	28.0 - 38.5	5	805.EX5450.K	805.EX5450.B	805.EX5550.K	805.EX5550.B
M63x1.5	40.0 - 48.0	5	805.EX5463.K	805.EX5463.B	805.EX5563.K	805.EX5563.B

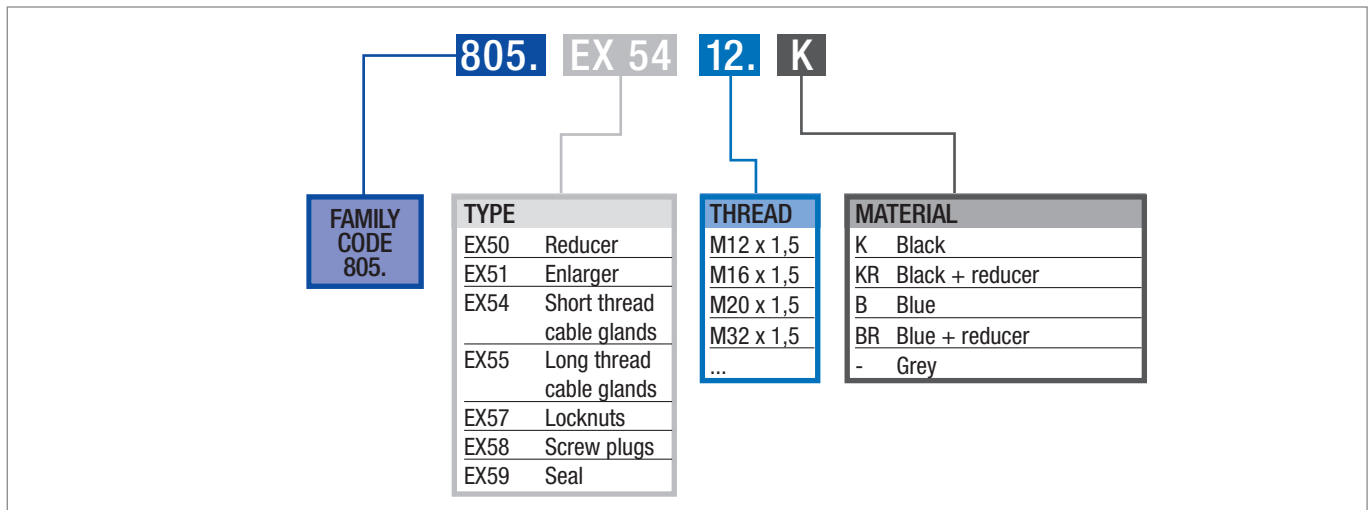
□ Package/Bulk Pack.
- With seal



Thread	Ø cable min-max	□	Short thread with reduced seal		Long thread with reduced seal	
			Black	Blue	Black	Blue
M12x1.5	3.0 - 5.0	50	805.EX5412.KR	805.EX5412.BR	805.EX5512.KR	805.EX5512.BR
M16x1.5	4.0 - 6.0	50	805.EX5416.KR	805.EX5416.BR	805.EX5516.KR	805.EX5516.BR
	4.0 - 7.0	50	805.EX5417.KR	805.EX5417.BR	805.EX5517.KR	805.EX5517.BR
M20x1.5	5.0 - 9.0	50	805.EX5420.KR	805.EX5420.BR	805.EX5520.KR	805.EX5520.BR
	8.0 - 12.0	50	805.EX5421.KR	805.EX5421.BR	805.EX5521.KR	805.EX5521.BR
M25x1.5	8.0 - 12.0	50	805.EX5425.KR	805.EX5425.BR	805.EX5525.KR	805.EX5525.BR
	10.0 - 16.0	25	805.EX5426.KR	805.EX5426.BR	805.EX5526.KR	805.EX5526.BR
M32x1.5	14.0 - 21.0	20	805.EX5432.KR	805.EX5432.BR	805.EX5532.KR	805.EX5532.BR
M40x1.5	16.0 - 26.0	10	805.EX5440.KR	805.EX5440.BR	805.EX5540.KR	805.EX5540.BR
M50x1.5	20.0 - 31.0	5	805.EX5450.KR	805.EX5450.BR	805.EX5550.KR	805.EX5550.BR
M63x1.5	30.0 - 39.0	5	805.EX5463.KR	805.EX5463.BR	805.EX5563.KR	805.EX5563.BR

□ Package/Bulk Pack.
- With seal

CODE STRUCTURE



UNION-EX Series



ENLARGER



Thread Male – Female	⊞	Grey	Black
M12x1.5 - M16x1.5	50	805.EX5112	805.EX5112.K
M16x1.5 - M20x1.5	50	805.EX5116	805.EX5116.K
M20x1.5 - M25x1.5	50	805.EX5120	805.EX5120.K
M25x1.5 - M32x1.5	20	805.EX5125	805.EX5125.K
M32x1.5 - M40x1.5	20	805.EX5132	805.EX5132.K
M40x1.5 - M50x1.5	20	805.EX5140	805.EX5140.K
M50x1.5 - M63x1.5	10	805.EX5150	805.EX5150.K

⊞ Package/Bulk Pack.
- With neoprene seal

REDUCER



Thread Male – Female	⊞	Grey	Black
M16x1.5 - M12x1.5	50	805.EX5016	805.EX5016.K
M20x1.5 - M16x1.5	50	805.EX5020	805.EX5020.K
M25x1.5 - M20x1.5	50	805.EX5025	805.EX5025.K
M32x1.5 - M25x1.5	25	805.EX5032	805.EX5032.K
M40x1.5 - M32x1.5	10	805.EX5040	805.EX5040.K
M50x1.5 - M40x1.5	10	805.EX5050	805.EX5050.K
M63x1.5 - M50x1.5	10	805.EX5063	805.EX5063.K

⊞ Package/Bulk Pack.
- With neoprene seal

1
ATEX [Ex II 2 GD]
2
3

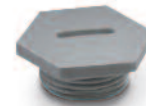
LOCKNUTS



Thread	☐	Grey	Black
M12x1.5	50	805.EX5712	805.EX5712.K
M16x1.5	50	805.EX5716	805.EX5716.K
M20x1.5	50	805.EX5720	805.EX5720.K
M25x1.5	50	805.EX5725	805.EX5725.K
M32x1.5	50	805.EX5732	805.EX5732.K
M40x1.5	20	805.EX5740	805.EX5740.K
M50x1.5	10	805.EX5750	805.EX5750.K
M63x1.5	5	805.EX5763	805.EX5763.K

☐ Package/Bulk Pack.

SCREW PLUGS



Thread	☐	Grey	Black
M12x1.5	50	805.EX5812	805.EX5812.K
M16x1.5	50	805.EX5816	805.EX5816.K
M20x1.5	50	805.EX5820	805.EX5820.K
M25x1.5	25	805.EX5825	805.EX5825.K
M32x1.5	15	805.EX5832	805.EX5832.K
M40x1.5	10	805.EX5840	805.EX5840.K
M50x1.5	10	805.EX5850	805.EX5850.K
M63x1.5	10	805.EX5863	805.EX5863.K

☐ Package/Bulk Pack.
- With neoprene seal



[Ex II 2 GD]



[Ex II 2 D]



[Ex II 3 GD]

UNION-EX Series



SEALS



Type	☐	Neoprene	Silicone
M12	50	805.EX5912	805.EX5912.S
M16	50	805.EX5916	805.EX5916.S
M20	50	805.EX5920	805.EX5920.S
M25	20	805.EX5925	805.EX5925.S
M32	20	805.EX5932	805.EX5932.S
M40	20	805.EX5940	805.EX5940.S
M50	10	805.EX5950	805.EX5950.S
M63	5	805.EX5963	805.EX5963.S

☐ Package/Bulk Pack.

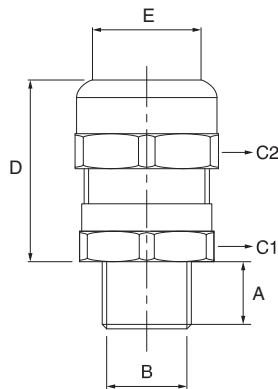
ATEX [Ex II 2 GD]

UNION-EX Series



DIMENSIONS – METAL VERSIONS RAD

CABLE GLANDS 805.RN...



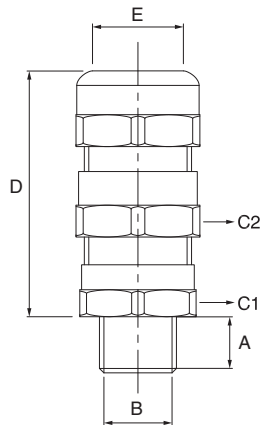
Size	E	Ø A (mm)	Ø B (mm)	C1		C2		D	Weight (gr)
16 (EP-SI)	16	15	7 (M12) 11	24	26	24	26	38	94
20 (EP-SI)	20	15	15	30	33	32	35	40	156
25 (EP-SI)	25	15	19	35	38	36	39	40	185
32 (EP-SI)	32	15	25	42	47	45	49	52	340
40 (EP-SI)	38	15	35	48	53	50	55	52	421
50 (EP-SI)	44	15	44	55	60	57	62	52	537
63 (EP-SI)	54	15	57	68	74	67	72	52	749
75 (EP-SI)	65	15	68	80	86	80	88	52	1085
90 (EP-SI)	74	20	82	100	107	100	107	67	2125
91 (EP-SI)	80	20	82	100	107	100	107	67	1759

(Dimensions in mm)

1
ATEX [Ex II 2 GD]
2
3

DIMENSIONS – METAL VERSIONS RAD

CABLE GLANDS 805.RAD...



Size	E	Ø A (mm)	Ø B (mm)	Armour range		C1		C2		D	Weight (gr)
				Standard cone	Reduced cone						
16 (EP-SI)	16	15	7 (M12) 11	0 ÷ 0,5	0,5 ÷ 0,75	24	26	24	26	58	126
20 (EP-SI)	20	15	15	0 ÷ 0,5	0,5 ÷ 1,25	32	33	32	35	64	228
25 (EP-SI)	25	15	19	0 ÷ 0,5	0,5 ÷ 1,25	36	38	36	39	64	264
32 (EP-SI)	32	15	25	0 ÷ 1	1 ÷ 1,6	45	47	45	49	83	484
40 (EP-SI)	38	15	35	0 ÷ 1	1 ÷ 1,6	50	53	50	55	83	576
50 (EP-SI)	44	15	44	0 ÷ 1	1 ÷ 2	57	60	57	62	83	730
63 (EP-SI)	54	15	57	0 ÷ 1	1 ÷ 2	67	74	67	72	83	961
75 (EP-SI)	65	15	68	0 ÷ 1	1 ÷ 2	80	86	80	88	83	1392
90 (EP-SI)	74	20	82	0 ÷ 2	2 ÷ 2,5	100	107	100	107	115	3026
91 (EP-SI)	80	20	82	0 ÷ 2	2 ÷ 2,5	100	107	100	107	115	2434

(Dimensions in mm)

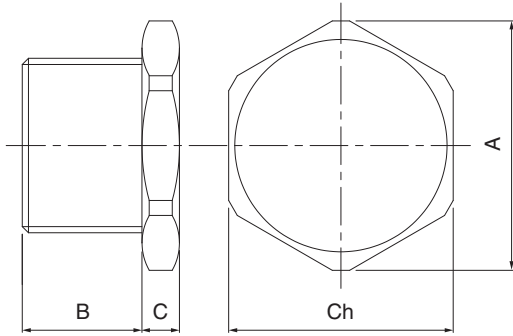
UNION-EX Series



ATEX [Ex II 2 GD]

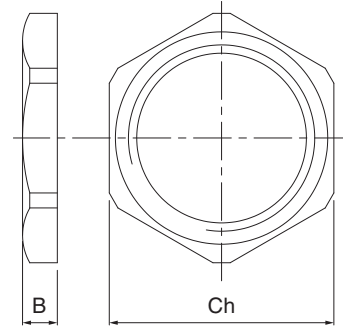
DIMENSIONS – METAL VERSIONS RAD

SCREW PLUGS 805.RT...



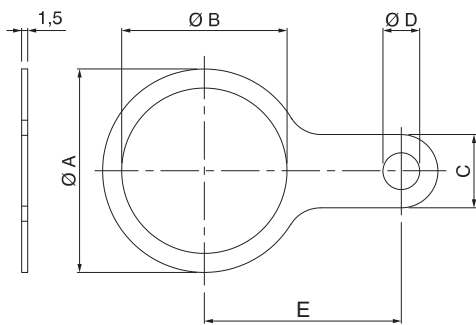
Thread	Ch	A	B	C
M12x1.5	16	17,6	15	5
M16x1.5	20	22	15	5
M20x1.5	24	26,4	15	5
M25x1.5	30	33	15	5
M32x1.5	36	39,6	15	5
M40x1.5	45	49,5	15	5
M50x1.5	55	60	15	5
M63x1.5	68	74	15	8
M75x1.5	80	86	20	8
M90x2	100	107	20	8

LOCKNUTS 805.RL...



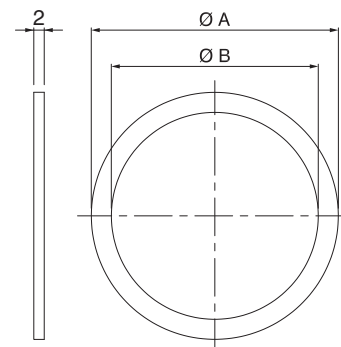
Thread	Ch	B
M12x1.5	15	2,8
M16x1.5	19	2,8
M20x1.5	24	3
M25x1.5	30	3,5
M32x1.5	36	4
M40x1.5	46	4,5
M50x1.5	60	5
M63x1.5	70	5,5
M75x1.5	83	10
M90x2	102	10

EARTHING TAGS 805.RE...



Type	Dimensions				
	ØA	ØB	C	ØD	E
M12	30	14	12	6,5	30
M16	30	18	12	6,5	30
M20	30	22	12	6,5	30
M25	36	28	15	6,5	35
M32	52	34	18	9	50
M40	52	42	18	9	50
M50	62	52	22	11	60
M63	75	65	22	11	70
M75	88	77	22	11	80
M90	105	92	30	14	100

SEALS 805.RG...

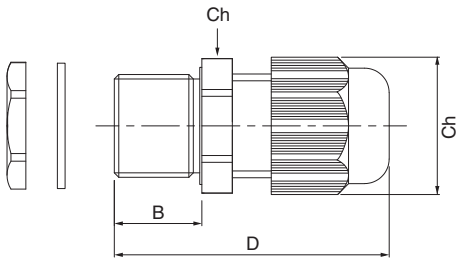


Type	Dimensions		
	ØA	ØB (Nylon)	ØB (Silicone)
M12	20	12,5	12
M16	25	16,5	16
M20	30	20,5	20
M25	35	25,5	25
M32	42	32,5	32
M40	50	40,5	40
M50	60	50,5	50
M63	76,5	63,5	63
M75	85	75,5	75
M90	104	90,5	90

(Dimensions in mm)

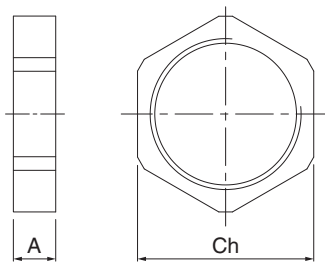
DIMENSIONS – POLYAMIDE VERSIONS

CABLE GLANDS 805.EX54/55...



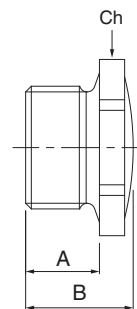
	Thread	Cable inlets	Short			Long		
			B	Ch	D	B	Ch	D
Normal seal	M12x1.5	4.5 - 6.5	8	15	32	15	15	39
	M16x1.5	5.0 - 8.0	10	19	37	15	19	42
		5.0 - 10.0	10	22	39	15	22	44
	M20x1.5	7.0 - 12.0	10	24	40	15	24	45
		10.0 - 14.0	10	27	43	15	27	48
	M25x1.5	10.0 - 14.0	10	27	45	15	27	50
		12.0 - 18.0	10	33	49	15	33	53
	M32x1.5	16.0 - 25.0	10	42	52	15	42	57
	M40x1.5	22.0 - 32.0	10	53	62	16	53	68
	M50x1.5	28.0 - 38.5	12	60	67	16	60	71
M63x1.5	40.0 - 48.0	12	70	68	16	70	72	
Reduced seal	M12x1.5	3.0 - 5.0	8	15	32	15	15	39
	M16x1.5	4.0 - 6.0	10	19	37	15	19	42
		4.0 - 7.0	10	22	39	15	22	44
	M20x1.5	5.0 - 9.0	10	24	40	15	24	45
		8.0 - 12.0	10	27	43	15	27	48
	M25x1.5	8.0 - 12.0	10	27	45	15	27	50
		10.0 - 16.0	10	33	49	15	33	53
	M32x1.5	14.0 - 21.0	10	42	52	15	42	57
	M40x1.5	16.0 - 26.0	10	53	62	16	53	68
	M50x1.5	20.0 - 31.0	12	60	67	16	60	71
M63x1.5	30.0 - 39.0	12	70	68	16	70	72	

LOCKNUTS 805.EX57...



Thread	Ch	A
M12x1.5	17	5
M16x1.5	22	5
M20x1.5	24	5
M25x1.5	30	6
M32x1.5	38	7,5
M40x1.5	50	8
M50x1.5	60	9
M63x1.5	75	10

SCREW PLUGS 805.EX58...



Thread	Ch	A	B
M12x1.5	16	8	11
M16x1.5	20	8	12
M20x1.5	26	9	13
M25x1.5	32	10	15
M32x1.5	40	11	16,5
M40x1.5	48	12	18
M50x1.5	55	13	21
M63x1.5	70	15	24,5

(Dimensions in mm)



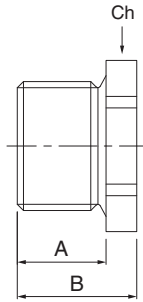
UNION-EX Series



DIMENSIONS – POLYAMIDE VERSIONS

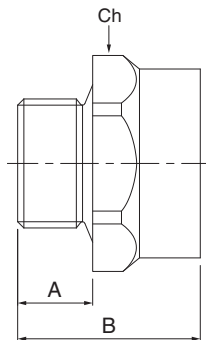
1
 2
 3
 ATEX [Ex II 2 GD]

REDUCER 805.EX50...



Male thread	Female thread	Ch	A	B
M16x1.5	M12x1.5	20	8	11
M20x1.5	M16x1.5	24	9	12
M25x1.5	M20x1.5	30	10	13,5
M32x1.5	M25x1.5	36	11	15
M40x1.5	M32x1.5	44	12	16
M50x1.5	M40x1.5	55	13	18
M63x1.5	M50x1.5	70	15	21

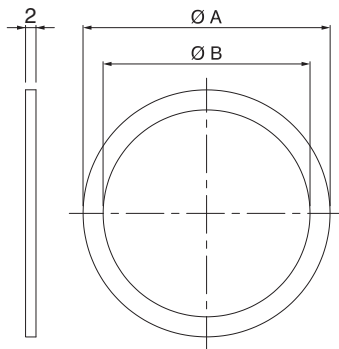
ENLARGER 805.EX51...



Male thread	Female thread	Ch	A	B
M12x1.5	M16x1.5	20	8	19
M16x1.5	M20x1.5	24	8	20
M20x1.5	M25x1.5	30	9	22
M25x1.5	M32x1.5	36	10	24
M32x1.5	M40x1.5	44	11	26
M40x1.5	M50x1.5	55	12	28
M50x1.5	M63x1.5	70	13	32

(Dimensions in mm)

SEALS
805.EX59...



Type	$\varnothing A$	$\varnothing B$
M12	15	10
M16	20	13,9
M20	24	18
M25	30	23
M32	40	30
M40	48	38
M50	58	48
M63	75	61
M75	90	72

(Dimensions in mm)

